

DATA SHEET

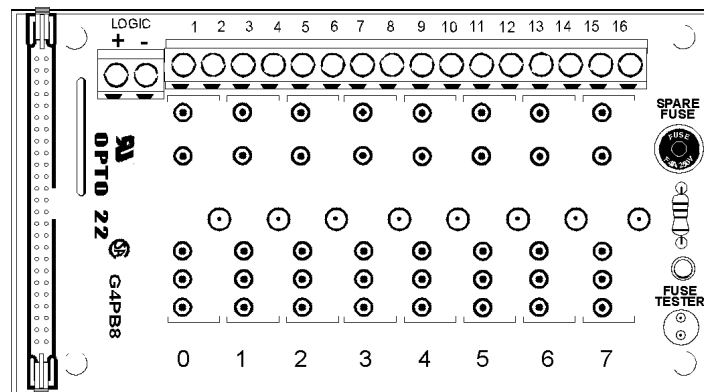
Form 248-040823

Part Number	Description
G4PB8	G4 8-Channel I/O Module Rack

Description

The G4PB8 I/O mounting rack accommodates up to eight G4 I/O modules. Insert and remove modules easily and quickly without disturbing field wiring. Modules are secured to the mounting rack with a threaded captive hold-down screw.

Barrier strips with screw terminals provide the field and mounting rack power connections. A header connector accepts a standard 50-pin cable for the logic connections.



Features

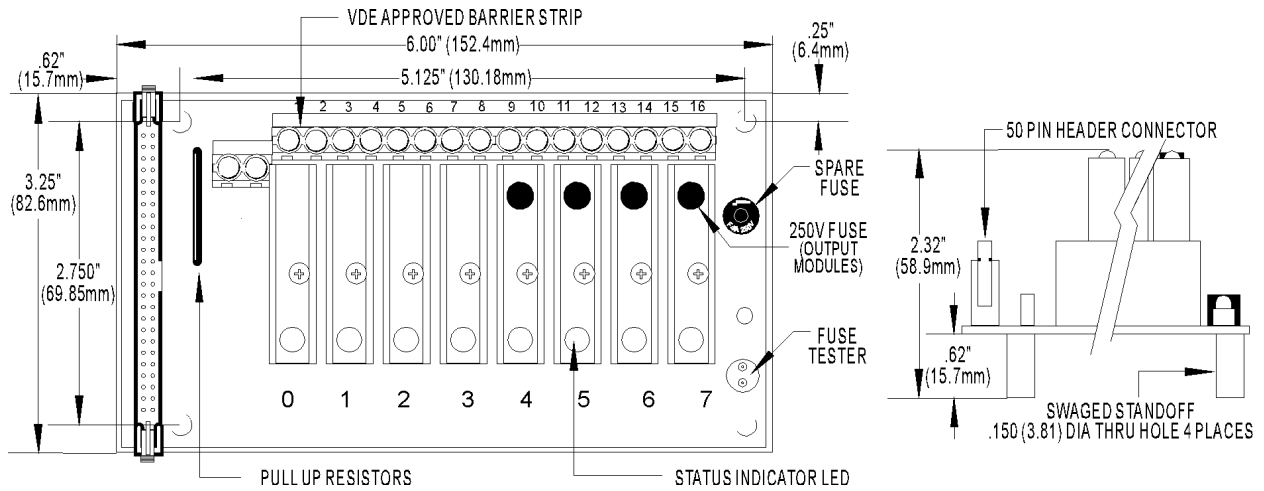
- Requires minimum panel space
- Built-in fuse tester
- Spare fuse on board
- UL recognized, CSA certified, CE approved
- Uses a single 5, 15, or 24 VDC power supply for control power

Specifications

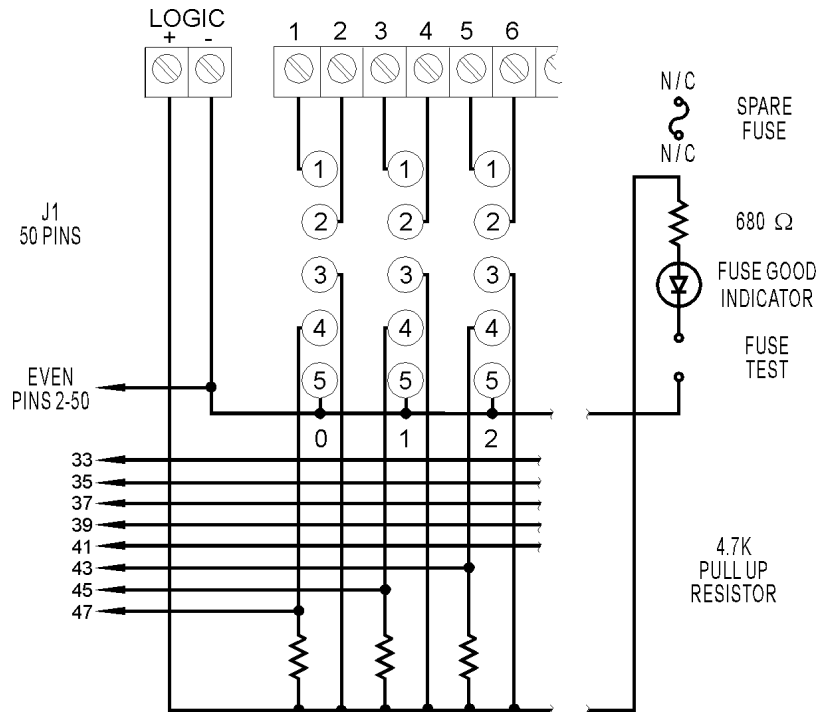
Operating temperature:	0 to 70°C 95% relative humidity, non-condensing
Interface connector: Field:	Screw-type barrier strip accommodates up to 10 AWG wire 50-conductor header connector

Form 248-040823

Dimensions



Connections



Form 248-040823

Connections (CONT.)

Notes:

1. Even pins on control connector are connected by etch to common.
2. +VCC and return connected to terminals marked LOGIC+ and -.
3. At each module position on the field terminal strip, the lower number is always connected to pin 1 of the I/O module.

Module Position	Control (Header Connector)	Field (Terminal Strip)
0	47	1 and 2
1	45	3 and 4
2	43	5 and 6
3	41	7 and 8
4	39	9 and 10
5	37	11 and 12
6	35	13 and 14
7	33	15 and 16